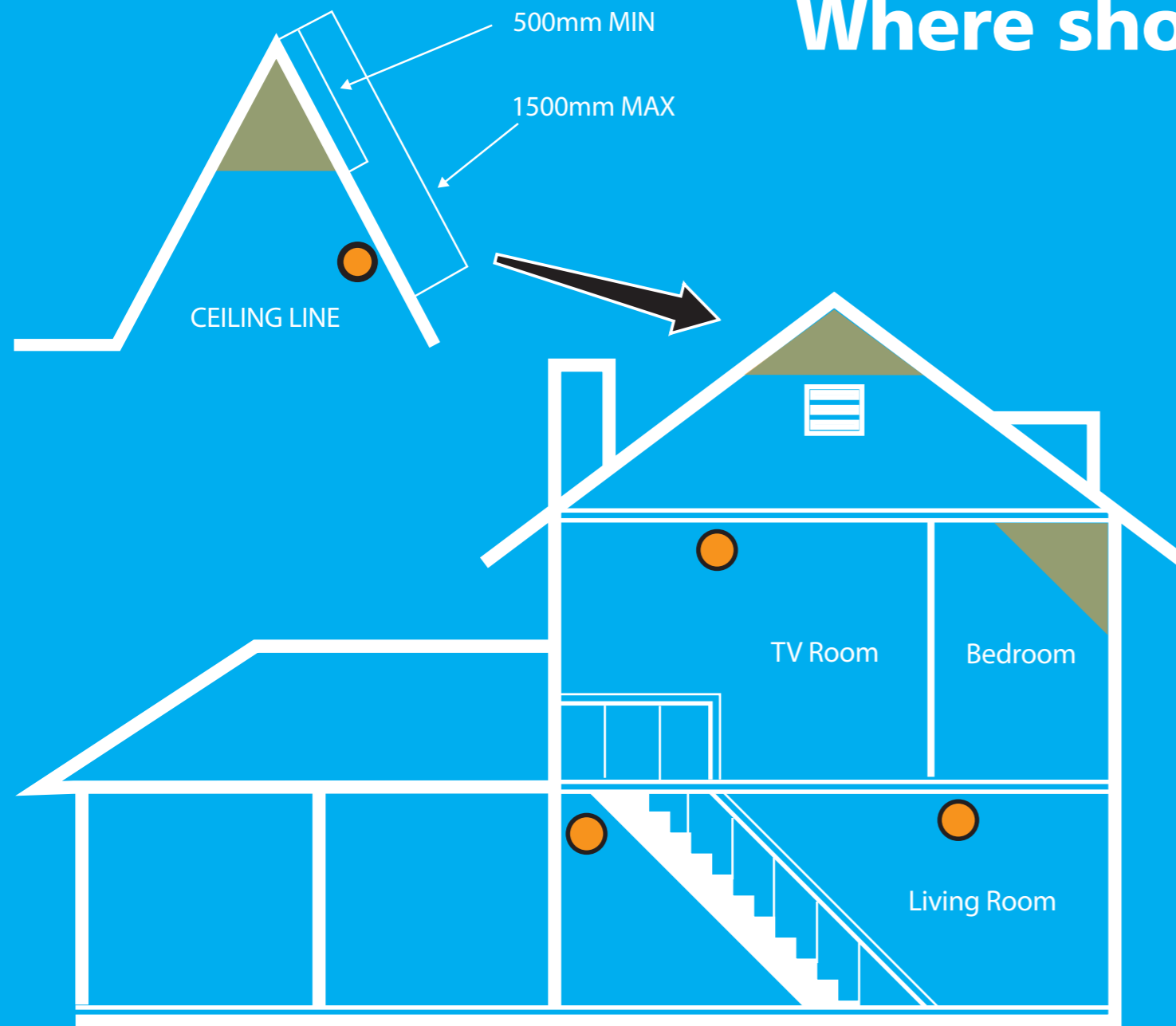
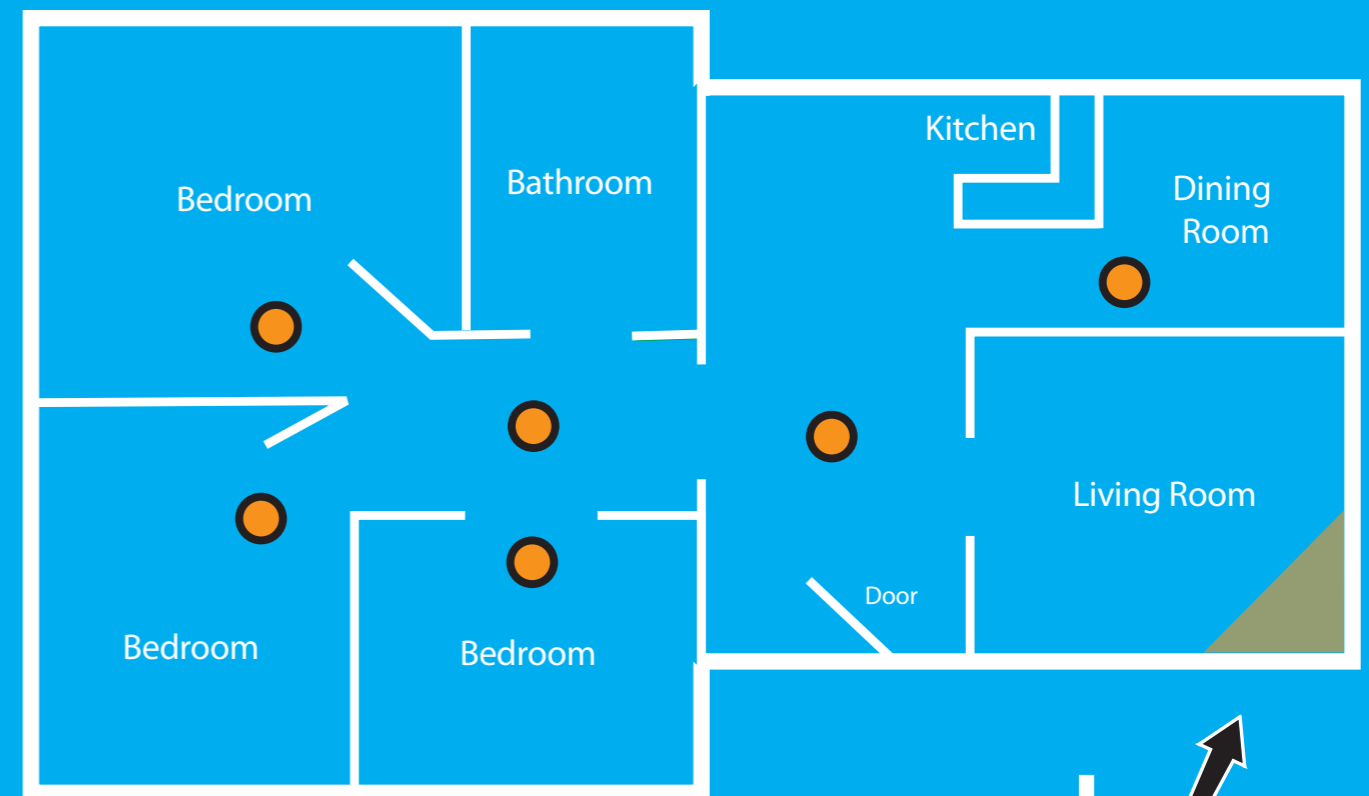


Where should you install smoke alarms?



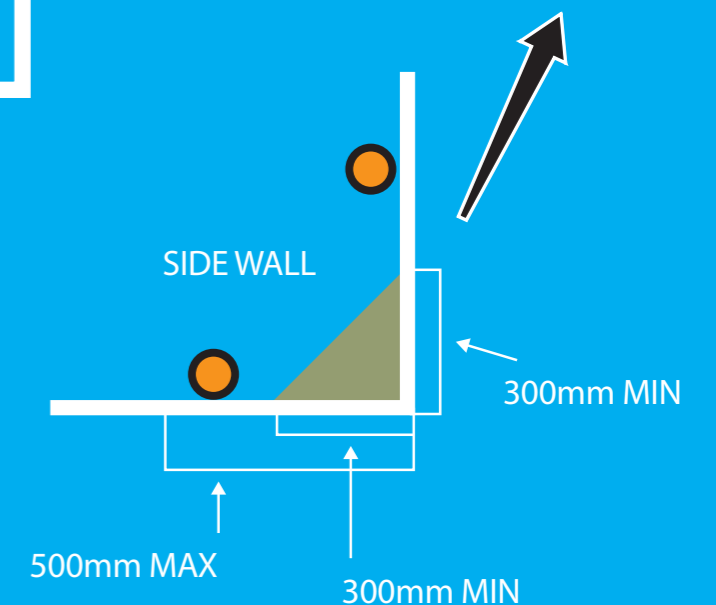
 **SMOKE ALARM**



Avoid placing smoke alarms in a dead air space

Corners can create a dead air space that traps hot air and prevents smoke from reaching the alarm

 **DEAD AIR SPACE**



One alarm per sleeping area and one alarm for every passage way leading to an exit.